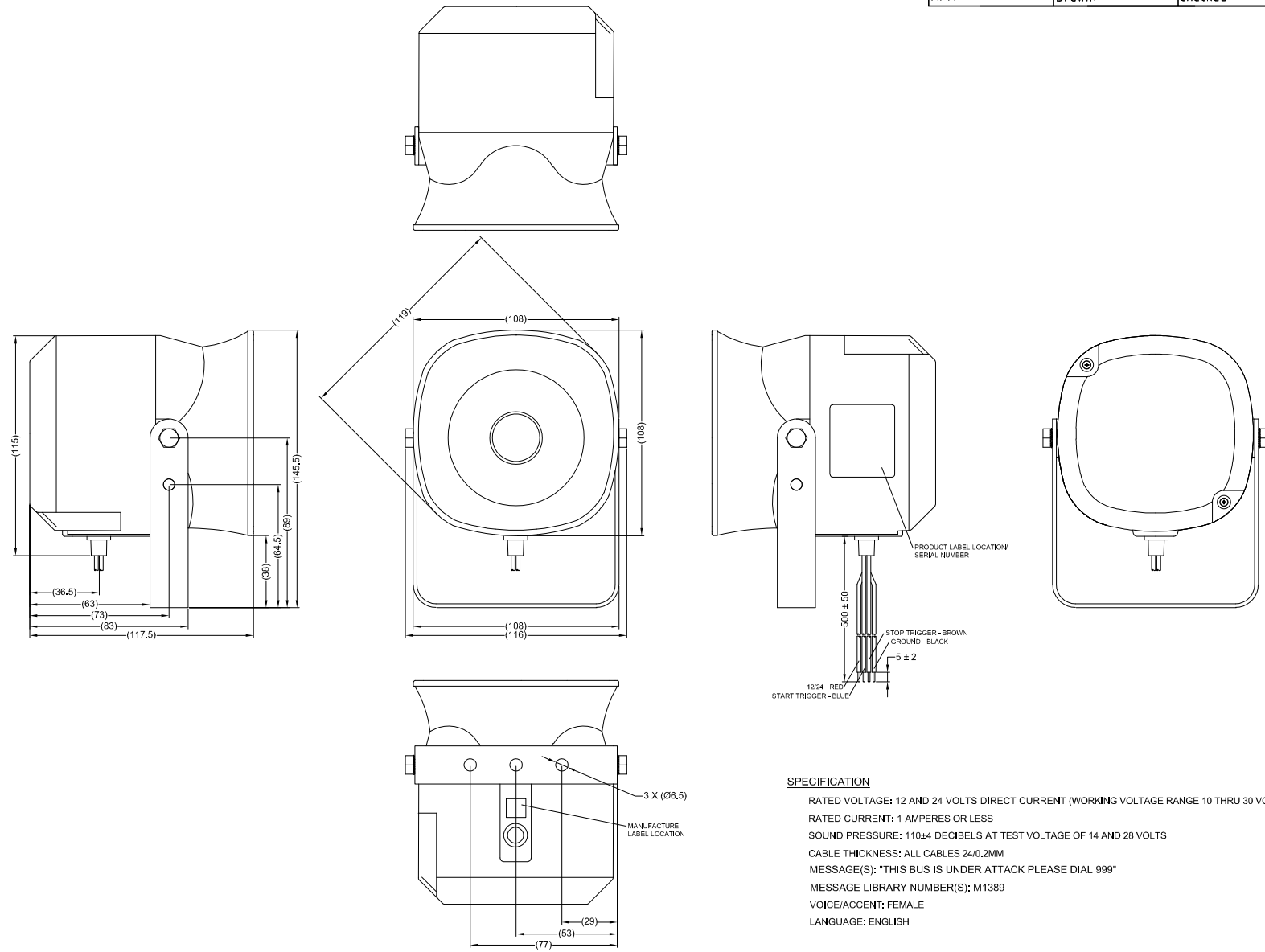


Revision Notes.				
R1 -				
APA: -	Drawn:-	Checked:-	Approved:-	Date: -



SPECIFICATION

RATED VOLTAGE: 12 AND 24 VOLTS DIRECT CURRENT (WORKING VOLTAGE RANGE 10 THRU 30 VOLTS)
 RATED CURRENT: 1 AMPERES OR LESS
 SOUND PRESSURE: 110±4 DECIBELS AT TEST VOLTAGE OF 14 AND 28 VOLTS
 CABLE THICKNESS: ALL CABLES 24/0.2MM
 MESSAGE(S): "THIS BUS IS UNDER ATTACK PLEASE DIAL 999"
 MESSAGE LIBRARY NUMBER(S): M1389
 VOICE/ACCENT: FEMALE
 LANGUAGE: ENGLISH

- NOTES:**
1. MATERIAL: ABS PLASTIC - ULTRA VIOLET STABILIZED
 2. FOR PACKAGING AND LABELING DETAIL REFER TO LATEST VERSION OF MASTER BOM.
 3. 2 X M6 X10 BOLTS & 2 X M6 SHAKE PROOF WASHER ARE SUPPLIED IN A PRESS SEAL BAG IN THE BOX.
 4. ALARM TO BE SUPPLIED WITH U SHAPE BRACKET IN THE BOX
 5. POWER & MESSAGE CABLES LENGTHS ARE MEASURED FROM CABLE ENTRY POINT ON HOUSING.

PROPRIETARY NOTICE
 THIS DESIGN AND TECHNICAL INFORMATION APPEARING ON THIS DRAWING IS THE PROPERTY OF BRIGADE ELECTRONICS, AND IS DISCLOSED IN CONFIDENCE. IT IS NOT TO BE COPIED, REPRODUCED, REVEALED TO OR EXPROPRIATED BY OTHERS, EITHER IN WHOLE OR IN PART WITHOUT THE EXPRESS WRITTEN CONSENT OF BRIGADE ELECTRONICS.

Assembly Pl Approval A.HEDDLE	Approved by B.JOHN	Checked by R.BATES	Drawn by J.STEWART
Angle of Projection 	Units mm	Scale N/A	Released 16/09/19
Status RELEASED	BC-AA(B) BUS		
Part No 0883A	BE-004173-00-19		

BRIGADE[®]
 www.brigade-electronics.com